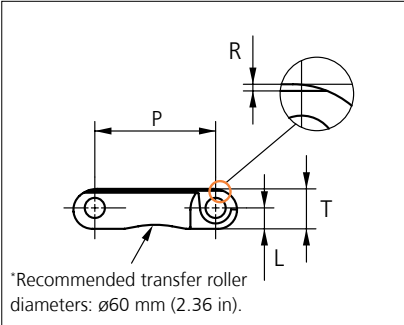
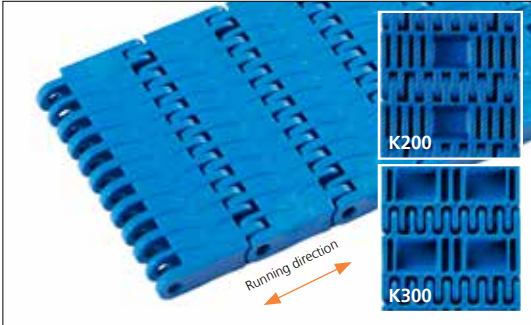




# Plastic Modular Belt

Series **uni JCB** Type **Chain Y Top HD**



Straight running chain  
 Nominal pitch: 25.4 mm (1.00 in)  
 Surface type: Y Pattern surface grid  
 Surface opening: 0%  
 Backflex radius: 25.0 mm (0.98 in)  
 Pin diameter: 4.0 mm (0.16 in)

|                                   |                  |
|-----------------------------------|------------------|
| <b>Chain material &amp; color</b> | POM SLF <b>B</b> |
| <b>Pin material &amp; color</b>   | PA6.6 <b>B</b>   |

|                    | mm   | in   |          | mm  | in   |
|--------------------|------|------|----------|-----|------|
| <b>P (Nominal)</b> | 25.4 | 1.00 | <b>T</b> | 9.4 | 0.37 |
| <b>L</b>           | 4.4  | 0.17 | <b>R</b> | 0.4 | 0.02 |

Option for POM SLF yellow links mounted every 10 links used as SAFE WALK markers.

| Chain width |     | Permissible tensile force (Chain/pin material) |     | Chain weight (Chain/pin material) |       | *No drive sprocket per chain |
|-------------|-----|------------------------------------------------|-----|-----------------------------------|-------|------------------------------|
|             |     | POM SLF/PA6.6                                  |     | POM SLF/PA6.6                     |       |                              |
| mm          | in  | N                                              | lbf | kg/m                              | lb/ft |                              |
| 51          | 2.0 | 1785                                           | 401 | 0.3                               | 0.22  | 1                            |
| 77          | 3.0 | 2695                                           | 606 | 0.5                               | 0.34  | 2                            |

General chain tolerance is +0/-0.4% at 23°C/73°F and 50% RH. For exact chain width contact Customer Service. Non standard chain width on request.

\*Max. Load per Drive Sprocket. Chain material: POM-SLF 2300 N (517 lbf).

Full Carry way Support (FS) deck of wearstrip material recommended for safe walk chain.

STANDARD

STRAIGHT RUNNING

PITCH 25.4 MM/1.00 IN



## Sprocket

| No. of teeth | Bore size  |    |      |      |      |      |      |      |      |       | Overall diameter |       | Pitch diameter |                                                                                     | Hub diameter                  |      | Dimension A |      | Dimension B |   | Single row/Two way | Moulded | PA6 LG |
|--------------|------------|----|------|------|------|------|------|------|------|-------|------------------|-------|----------------|-------------------------------------------------------------------------------------|-------------------------------|------|-------------|------|-------------|---|--------------------|---------|--------|
|              | Pilot bore | in |      | mm   |      | mm   |      | mm   |      |       |                  |       |                |                                                                                     |                               |      |             |      |             |   |                    |         |        |
|              |            |    | 1.00 | 1.18 | 1.25 | 1.50 | 1.57 | 2.36 | 2.50 | mm    | in               | mm    | in             | mm                                                                                  | in                            | mm   | in          | mm   | in          |   |                    |         |        |
| Z10          | ✓          |    | ●    | ●    | ●    | ■    | ●    |      |      | 80.3  | 3.16             | 82.2  | 3.24           | 65.0                                                                                | 2.56                          | 34.7 | 1.36        | 45.5 | 1.79        | ✓ | ✓                  |         |        |
| Z12          | ✓          |    | ●    | ●    | ●    | ■    | ■    |      |      | 96.8  | 3.81             | 98.1  | 3.86           | 70.0                                                                                | 2.76                          | 43.0 | 1.69        | 53.5 | 2.11        | ✓ | ✓                  |         |        |
| Z15          | ✓          |    |      | ●    | ●    | ■    | ■    | ■    | ■    | 121.5 | 4.78             | 122.2 | 4.81           | <sup>1</sup> 70.0<br><sup>2</sup> 100.0<br><sup>2</sup> 104.0                       | 2.76<br>13.94<br>4.09         | 55.4 | 2.18        | 65.5 | 2.58        | ✓ | ✓                  |         |        |
| Z18          | ✓          |    |      | ●    | ●    | ■    | ■    | ■    | ■    | 146.0 | 5.75             | 146.3 | 5.76           | <sup>1</sup> 70.0<br><sup>1</sup> 120.0<br><sup>2</sup> 104.0<br><sup>2</sup> 104.0 | 2.76<br>13.94<br>4.09<br>4.72 | 67.6 | 2.66        | 77.5 | 3.05        | ✓ | ✓                  |         |        |
| Z19          | ✓          |    |      | ●    | ●    | ■    | ■    | ■    | ■    | 154.2 | 6.07             | 154.3 | 6.07           | <sup>1</sup> 70.0<br><sup>1</sup> 120.0<br><sup>2</sup> 104.0<br><sup>2</sup> 104.0 | 2.76<br>13.94<br>4.09<br>4.72 | 71.7 | 2.82        | 81.6 | 3.21        | ✓ | ✓                  |         |        |

● Moulded sprocket ■ Moulded sprocket ■ Moulded sprocket

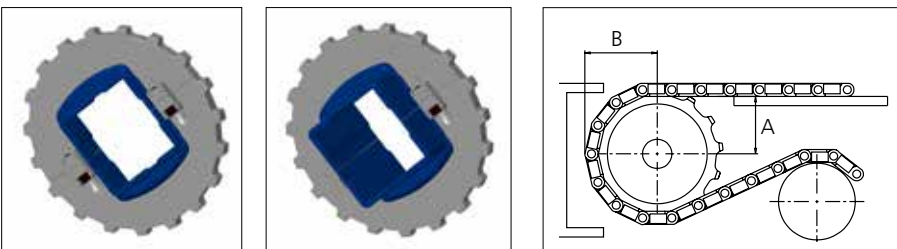


Other sprocket sizes are available upon request.  
 Round bores are always delivered with keyway.  
 Max load per sprocket shown does not take bore size into account.  
 Please also ensure that sufficient size shaft is chosen for corresponding load.  
 Other bore sizes are available upon request.  
 uni Retainer Rings: See uni Retainer Ring data sheet.  
 Width of tooth = 10.0 mm (0.39 in)  
 Width of OnePart sprocket = 25.0 mm (0.98 in)

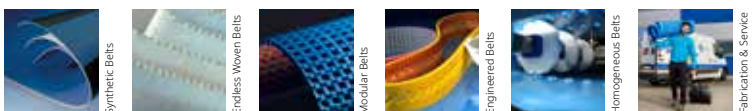
## uni UltraFit Two-Part Sprocket

| No. of teeth | Bore size |      |      |      |      | Overall diameter |      | Pitch diameter |      | Hub/adaptor diameter |      | Hub/adaptor width |              | Dimension A |      | Dimension B |      | Single row/Two way | Moulded | PA6 LG | Adapter Moulded | POM-D B |
|--------------|-----------|------|------|------|------|------------------|------|----------------|------|----------------------|------|-------------------|--------------|-------------|------|-------------|------|--------------------|---------|--------|-----------------|---------|
|              | in        |      | mm   |      | mm   |                  |      |                |      |                      |      |                   |              |             |      |             |      |                    |         |        |                 |         |
|              |           | 1.50 | 1.57 | 2.36 | 2.50 | mm               | in   | mm             | in   | mm                   | in   | mm                | in           | mm          | in   | mm          | in   |                    |         |        |                 |         |
| Z12          |           | ■    | ■    |      |      | 96.8             | 3.81 | 98.2           | 3.87 | 83.0                 | 3.27 | 25.0<br>76.0      | 0.98<br>2.99 | 43          | 1.69 | 53.5        | 2.11 | ✓                  | ✓       | ✓      | ✓               |         |
| Z13          |           | ■    | ■    |      |      | 104.8            | 4.13 | 106.2          | 4.18 | 83.0                 | 3.27 | 25.0<br>76.0      | 0.98<br>2.99 | 47.1        | 1.86 | 57.1        | 2.25 | ✓                  | ✓       | ✓      | ✓               |         |
| Z15          |           | ■    | ■    | ■    | ■    | 121.5            | 4.78 | 122.5          | 4.82 | 106.0                | 4.14 | 25.0<br>76.0      | 0.98<br>2.99 | 55.4        | 2.18 | 65.5        | 2.58 | ✓                  | ✓       | ✓      | ✓               |         |
| Z16          |           | ■    | ■    | ■    | ■    | 129.7            | 5.11 | 130.2          | 5.13 | 106.0                | 4.14 | 25.0<br>76.0      | 0.98<br>2.99 | 59.5        | 2.35 | 69.5        | 2.74 | ✓                  | ✓       | ✓      | ✓               |         |
| Z18          |           | ■    | ■    | ■    | ■    | 146.1            | 5.75 | 146.3          | 5.76 | 106.0                | 4.14 | 25.0<br>76.0      | 0.98<br>2.99 | 67.6        | 2.66 | 77.5        | 3.05 | ✓                  | ✓       | ✓      | ✓               |         |
| Z19          |           | ■    | ■    | ■    | ■    | 154.2            | 6.07 | 154.3          | 6.07 | 106.0                | 4.14 | 25.0<br>76.0      | 0.98<br>2.99 | 71.7        | 2.82 | 81.6        | 3.21 | ✓                  | ✓       | ✓      | ✓               |         |

■ Moulded uni UltraFit TwoPart Sprocket (Narrow adapter) ■ Moulded uni UltraFit TwoPart Sprocket (Wide adapter)



For correct sprocket position:  
 See uni Assembly Instructions for uni JCB.  
 For more detailed sprocket information contact Customer Service.



Expert advice and quality solutions for all your belting needs.  
[ammeraalbeltech.com](http://ammeraalbeltech.com)

**Ammeraal Beltech Modular A/S**  
 Hjulmagervej 21  
 DK-7100 Vejle  
 T +31 7572 3100

[amma.com](http://amma.com)

This information is subject to alteration due to continuous development. Ammeraal Beltech will not be held liable for the incorrect use of the above stated information. This information replaces previous information. All activities performed and services rendered by Ammeraal Beltech are subject to general terms and conditions of sale and delivery, as applied by its operating companies.